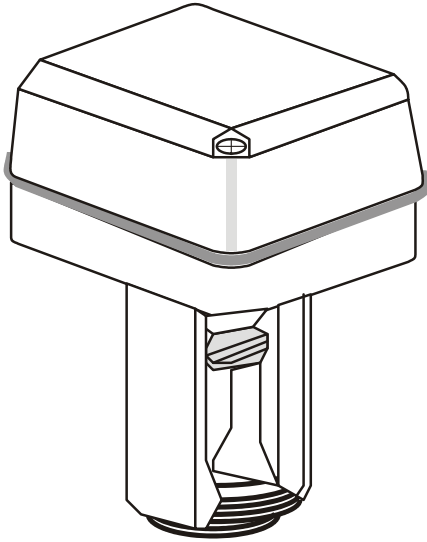


## ML6420A3072 ELECTRIC LINEAR VALVE ACTUATOR

### SPECIFICATION DATA



### GENERAL

The ML6420A3072 actuator enables floating control, and is suitable for use in conjunction with ON/OFF or floating single-pole, double-throw (SPDT) control outputs. It can operate Honeywell's standard valves in heating, ventilation, and air conditioning (HVAC) applications.

### FEATURES

- Quick and easy installation
- No separate linkage required
- No adjustments
- Low power consumption
- Force-limiting end switches
- Synchronous motor
- Corrosion-resistant design
- Maintenance-free

### SPECIFICATIONS

<b>Supply voltage</b>	24 Vac +/-15% 50/60 Hz
<b>Power consumption</b>	4 VA
<b>Temperature limits</b>	
Ambient operating limits	0...+55 °C at 5...95%rh
Ambient storage limits	-40...+70 °C at 5...95%rh
Medium valve temp.	Max. 150 °C
<b>Signal</b>	
Signal input 1	Supply voltage between terminals 1 and 24V~. Actuator stem extended. 2-way valve: "closed", 3-way valve port A-AB: "open"
Signal input 2	Supply voltage between terminals 2 and 24V~. Actuator stem retracted. 2-way valve: "open", 3-way valve port A-AB: "closed"
<b>Stroke</b>	20 mm
<b>Run time</b>	1 min (at 50 Hz)
<b>Close-off pressure</b>	≥600 N
<b>Safety</b>	
Protection class	II according to EN60730-1
Protection standard	IP52 according to EN60529
Flame-retardant housing	V0 as per UL94 (with metal cable gland – not supplied)
<b>Wiring terminals</b>	1.5 mm <sup>2</sup>
<b>Weight</b>	1.3 kg
<b>Material</b>	
Cover	ABS-FR
Base	Glass fiber-reinforced plastic
Yoke	Aluminum diecast
<b>Dimensions</b>	see Fig. 1 on page 3

## OPERATION

### General

The drive of a synchronous motor is converted into linear motion of the actuator stem by using a spur gear transmission. The actuator stem is connected with the valve stem by a button keyed retainer connection. Installed microswitches switch off the actuator precisely when the specified stem force is reached.

### Electrical Installation

Three knock-outs are provided for cable fitting:

- two M20x1.5
- one M16x1.5

Maximum cable length / diameter for field mounting: 200 m / 1.5 mm<sup>2</sup>.

### Accessories

#### Auxiliary Switches

The actuator can be equipped on site with an auxiliary switch unit with two switches. Their switching points are adjustable over the full length of the actuator stroke. The switches can be used to switch pumps or to provide remote indication of any stroke position.

Order number: 43191680-005

### Auxiliary Potentiometer

Auxiliary potentiometers are available for on-site mounting. They can be used as feedback potentiometers and/or to provide remote indication to the valve position. A cable gland M16x1.5 is delivered with the unit.

Order number: 43191679-011 (10 kΩ)

Order number: 43191679-012 (220 Ω)

### High-Temperature Kit

The High-Temperature Kits are necessary for applications between 150 and 220 °C medium valve temperature.

order number High-Temp. Kit	valve	DN
43196000-001	V5011R/V5011S	15 – 50
	V5013R/V5013E	15 – 50
	V5328A/V5329A	15 – 32
43196000-002	V5328A/V5329A	40 – 80
	V5049A	15 – 65
	V5016/V5025/V5050A	15 – 80

## CLOSE-OFF PRESSURE RATINGS

Valve Size	DN15	DN20	DN25	DN32	DN40	DN50	DN65	DN80
	1/2"	3/4"	1"	1 1/4"	1 1/2"	2"	2 1/2"	3"
<b>Valves</b>	<b>Close-Off Pressure Ratings (in kPa)</b>							
V5011R,S	1600	1600	1000	700	460	260	–	–
V5013R,E	1600	1600	1000	700	460	260	–	–
V5328A	1600/1000	1000	1000	600	350	200	120	50
V5016A	1600	1600	1600	1600	1600	1600	1600	1600
V5025A	2500	2500	2500	2500	2500	2500	2500	2500
V5329A (PN16)	1000	1000	1000	790	480	260	160	100
V5329C (PN6)	600	600	600	600	480	260	160	100
V5049A	1600/1000	1000	1000	600	350	200	120	–
V5050A	1000	1000	1000	600	350	200	120	50
V5095A	–	1600	1600	1600	1600	1600	1600	1600

For details on the valves, see following Specification Data No.:

V5011R	EN0B-0064GE51
V5011S	EN0B-0085GE51
V5013E	EN0B-0446GE51
V5013R	EN0B-0065GE51
V5016A	EN0B-0440GE51
V5025A	EN0B-0442GE51
5049A	EN0B-0238GE51
V5328A	EN0B-0291GE51
V5329A/5050A	EN0B-0310GE51
V5095A	EN0B-0412GE51

## DIMENSIONS

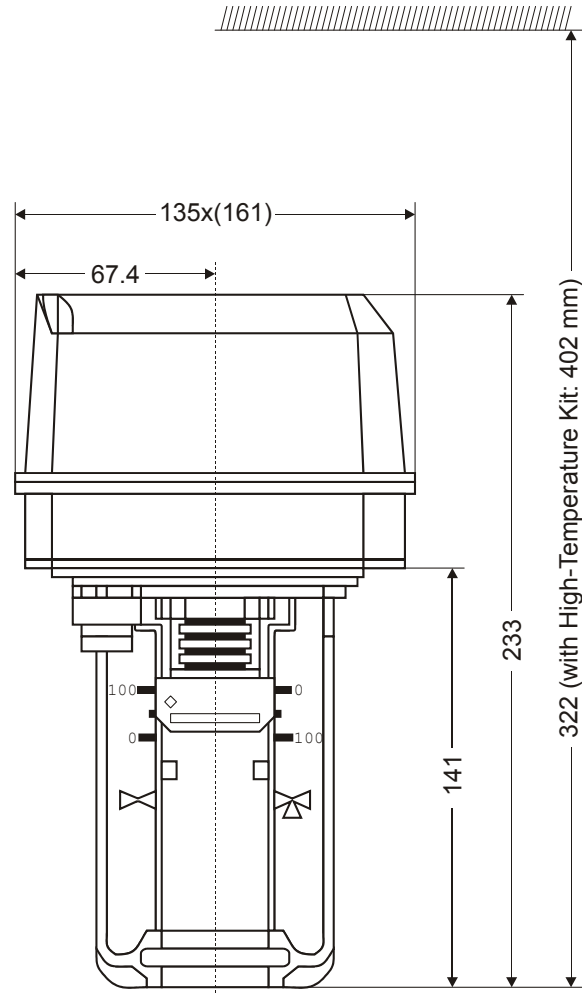


Fig. 1. Dimensions in mm

## WIRING

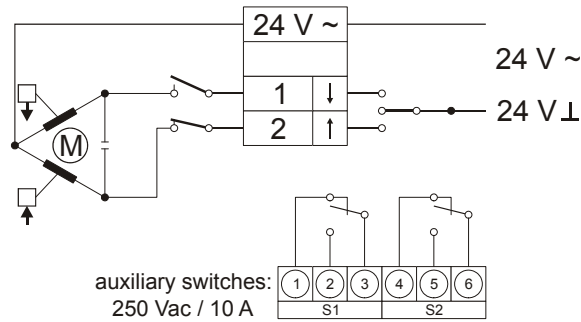


Fig. 2. Wiring

**Honeywell**

---

Manufactured for and on behalf of the Environmental and Combustion Controls Division of Honeywell Technologies Sàrl, Rolle, Z.A. La Pièce 16, Switzerland by its Authorized Representative:

**Automation and Control Solutions**

Honeywell GmbH  
Böblinger Strasse 17  
71101 Schönaich, Germany  
Phone +49 (0) 7031 637 01  
Fax +49 (0) 7031 637 740  
<http://ecc.emea.honeywell.com>

EN0B-0411GE51 R1114

Subject to change without notice