



Honeywell

Jin Xiu Unitary Controller

Stand-alone Controller

Jin Xiu unitary controller applies to a wide variety of HVAC equipments including AHU, PAU, constant temperature and humidity unit, heat pump and others. It will provide the convenience and flexibility to use Jin Xiu as stand-alone system. Jin Xiu will bring the cost-efficient control for customer.

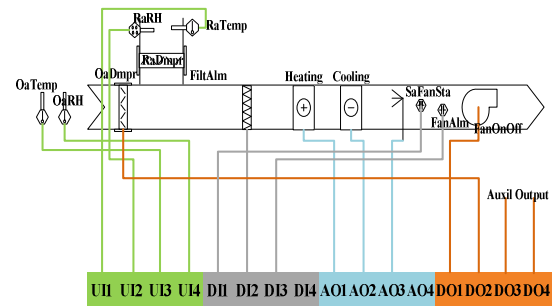


Fashion appearance with Large LCD

Jin Xiu has fashion appearance designed specially. Large LCD display in English or Chinese selectable for customer and back light function make the operator easy to use in dim condition.

22 Fixed Application Programs are selectable

22 application programs built in Jin Xiu controller including air temperature and humidity control, air pressure control, CO2 monitor, etc. The functions of Winter/Summer model changeover, temperature compensation, and time schedule for customer select according to they requirements.



Easy Buttons

Entering or changing of all data via operating buttons on the controller, possible without additional tools.

Easy Wiring and Service

Color-Coded I/O labels ensure the controller be wired correctly. Removable terminal enable wiring even the controller is mounted in hard to-reach locations. Unplug the terminals with the wires when service, replace the controller and plug the terminals back in – easily and fast.



Easy Mounting

Jin Xiu controller has DIN rail installation slot and side latches. It can be mounted into either a panel with or snaps onto the DIN rail easily

Application

Jin Xiu unitary controller offer flexibility in your system design to achieve the customer's demand, the following is some features:

- **UB1211**

For two pipes or four pipes constant air volume PAU, supply air or return air temperature monitor and control.

- **UB2204**

For constant air volume PAU with two-stage heating /cooling device, or with tri-stage heating/cooling device and reversing valve, supply air and return air temperature or return air temperature monitor and control.

- **UB2221**

For two pipes or four pipes constant air volume AHU, supply air or return air temperature and humidity monitor and control.

For constant temperature and constant humidity AHU, return air temperature and humidity monitor and control.

- **UB4334S**

For two pipes or four pipes constant air volume AHU, return air temp. & hum, air pressure monitor and control, CO2 monitor, fan on/off control and speed control. Auxiliary DO points provided.

Model	I/O	Application Module
UB1211	UI:1,DI:2,AO:1,DO:1	6 Optional Modules
UB2204	UI:2,DI:2,AO:1,DO:4	4 Optional Modules
UB2221	UI:2,DI:2,AO:2,DO:1	5 Optional Modules
UB4334S	UI:4,DI:3,AO:3,DO:4	7 Optional Modules

Reliable Field Device

Ball Valve and DCA



V- modulated ball valve and DCA, used with Jin Xiu unitary controllers, not only switch control for the pipeline, and its

equal percentage flow regulation characteristics enables accurate control of media, so that stability in the design of medium flow, save energy, reduce noise, to achieve accurate and reliable control.

CTR20 Series Wall Modules

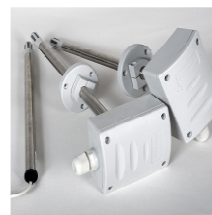


The CTR20 series of room temperature wall modules integrates seamlessly with a wide range of controllers,

including Jin Xiu Unitary controller.

Count on CTR20 wall modules for the accurate temperature readings and reliability you have come to expect from Honeywell sensors.

7080 Series duct temperature and humidity sensor



7080 Series duct temperature and humidity sensor can be communicating with variety of

controllers perfectly including Jin Xiu Series Unitary controller. Count on high-precision sensor 7080 for the accurate temperature readings and reliability you've come to expect from Honeywell sensors.